

- ✓ Three 5 Digit Displays
- ✓ 99999 true Measuring Increments
- ✓ Three Signal Inputs for DC or AC
- ✓ 70 Linearizing Points in Channel
- ✓ Analogue Outputs 0/4-20mA, 0-10V
- ✓ RS 232 and RS 485
- ✓ Mains or DC Supply
- ✓ Excitation for external sensor



OC4000-3D-LIN is a programmable three channel Linearizer. Each channel contains up to 70 linearizing points individually programmable via the serial data port from a PC or with the keys at the instrument's front.

Three signal inputs are available for connecting of three DC process signals. Three displays show the measured signals. The displays can be free assigned to any signal channel.

AC true RMS voltage and current can optionally be connected and linearized. The linearized signals can be assigned to the two lower displays whereas the main upper display shows the resulting linearized power. When the two signals A and B are shown at the two lower displays, the main upper display can perform arithmetic operations $A+B$, $A-B$, $A \times B$ or $A:B$.

OC4000-3D-LIN can communicate with PCs under Windows. The soft package *OrbCom*

supports the communication and permits the three linearized measurements to be shown at the screen. Also the non-linearized "raw" signals can be displayed if required.

Two Analogue Outputs 0-10V and 4-20mA are derived from one display and generated simultaneously.

The instrument's Menu can be opened with the keypads or via the serial data port and the process parameters set. The menu contains the display function, setting of set points, display resolution, selection of analogue outputs and data ports, assigning displays to signal channels and setting linearizing points.

The service menu permits checking of the functional electronic blocks and calibration of all signal channels.

The menu is locked with a Password.

SPECIFICATIONS

DISPLAYS

Upper Displays

-9999 ... +99999, red 10 mm

Lower two Displays

-9999 ...+99999, red, 7.5mm

INPUTS

Three signal inputs
3 x DC or 2 x AC and 1 x DC

MEASURING RANGES

Current DC or RMS

0/4-20mA to 0 - 5A

Voltage DC or RMS

0 ... ±100mV to 0 - 250V

FILTER

Average Filter OFF/ON, with constants 1-99.

A-D CONVERSION

ADC with 24 bit resolution

Sampling Rate 100ms.

Linearity ± (1 LSB + 1 Digit).

Tempco 25ppm/K

Display reading is selectable from 1 to 99 measuring cycles.

ANALOGUE OUTPUTS

Current: 0/4-20mA

Voltage: 0 ... ±10V

Resolution: 12 Bit.

TARA

Set the display to Zero. An *Untara* function disables the Tara and returns the display to the original value without Tara.

The Tara remains stored.

SERIAL DATA PORTS

RS232 and RS485, 8 Bit, No Parity, 1 Start, 1 Stop, 300-19200 baud.

The address 0 activates RS232. One of addresses 1-31 activates RS485.

SET POINTS

Four Set Points with Hystereze and four Relays 5A-230VAC or 4 open collector NPN Transistors 60V-100mA.

HYSTEREZE

Each Set Point has an individual hystereze 0 to 99.

EXCITATION

Isolated supply for external sensors adjustable from 5V to 24V/40mA.

SUPPLY

Mains Supply

115V/230V ±15%, 48-60 Hz, 8VA.

Option

9-32VDC/4W.

TERMINALS

Plugable Screw Terminals.

CABINET

DIN 48x96x100 mm (HxWxD).

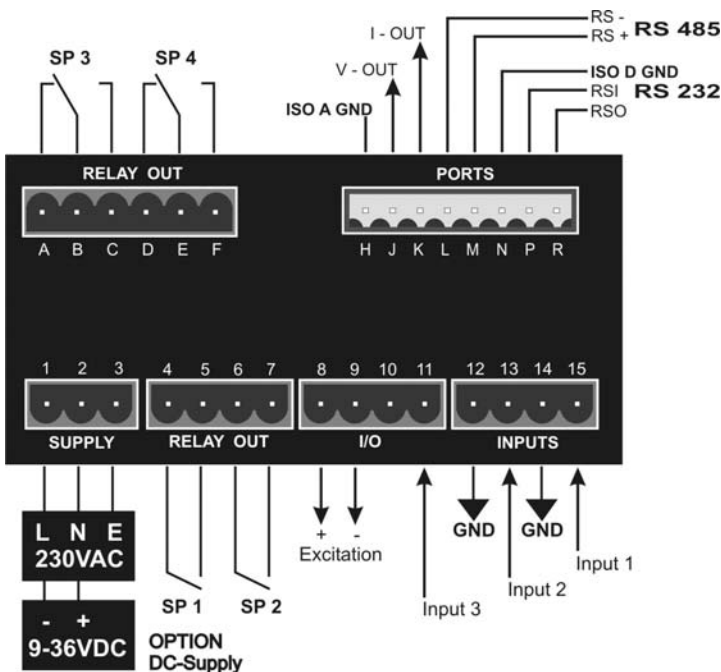
Panel Cut-Out 45 x 93 mm.

IP65 at the front.

SOFT MANAGER

OrbCom is available for Windows applications.

TERMINALS – rear of the instrument



ORBIT CONTROLS AG

Zürcherstrasse 137
CH-8952 Schlieren/ZH

Tel: + 41 44 730 2753

Fax: + 41 44 730 2783

info@orbitcontrols.ch
www.orbitcontrols.ch